

# EMI50

Dedicated EM Series sub-bass

architectural

## features

- ▶ Dedicated EM Series sub-bass
- ▶ Ultra-compact enclosure
- ▶ High output
- ▶ Stereo/mono operation
- ▶ Twin long excursion proprietary 10" (250mm) drivers

## applications

- ▶ Background music playback in clubs and bars
- ▶ AV presentations
- ▶ Home theatre



The ultra-compact EMI50 sub-bass achieves extended low frequency performance not normally associated with such modest dimensions. Designed for use in conjunction with the EM15 and EM26 full-range loudspeakers, LF extension to below 45Hz is realised by twin 10" drive units.

In simple set-ups, the EMI50 may be used without an active crossover. For example, the separate left and right 8 Ohm drive units of the EMI50 can each be connected in parallel with three 16 Ohm EM15s, presenting a minimum impedance of 3.2 Ohms per channel to the amplifier. Alternatively, the left and right drivers can be externally connected in parallel at their inputs for a 4 Ohm mono sub-bass configuration.

For maximum systems versatility an EMX1A controller may be used with separate amplifiers employed to run the EMI50 and satellite loudspeakers.

Century Point, Halifax Road, Cressex Business Park,  
High Wycombe, Buckinghamshire HP12 3SL, England.  
Telephone: +44 (0)1494 535312 Facsimile: +44 (0)1494 438669  
E-mail: [info@martin-audio.com](mailto:info@martin-audio.com)  
All information is Copyright © 2003 Martin Audio Ltd.

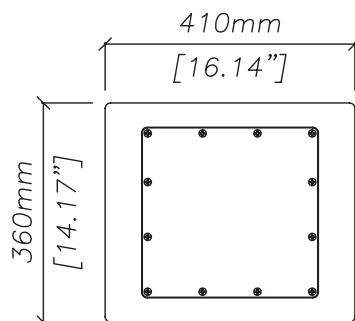
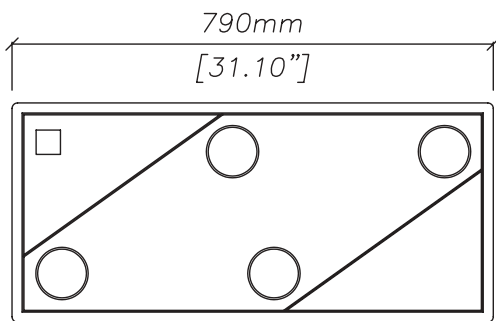
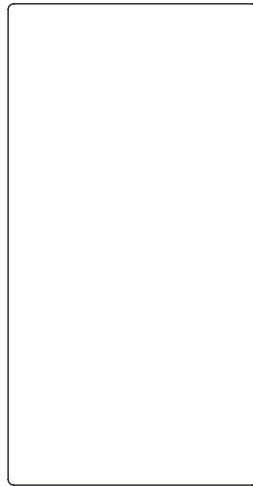


# EM150

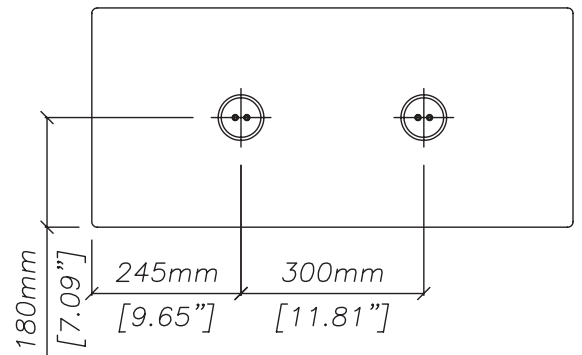
Dedicated EM Series sub-bass

overall dimensions

architectural



EM150



Century Point, Halifax Road, Cressex Business Park,  
High Wycombe, Buckinghamshire HP12 3SL, England.  
Telephone: +44 (0)1494 535312 Facsimile: +44 (0)1494 438669  
E-mail: [info@martin-audio.com](mailto:info@martin-audio.com)  
All information is Copyright © 2003 Martin Audio Ltd.



# EMI 50

Dedicated EM Series sub-bass

## technical specifications

TYPE	Ultra-compact sub-bass system
FREQUENCY RESPONSE (1)	45Hz-200Hz $\pm$ 3dB
DRIVERS	2 x 10" (250mm) bass driver
RATED POWER (2)	400W AES, 1600W peak
RECOMMENDED AMPLIFIER	400-500W into 4 ohms
SENSITIVITY (3)	98dB
MAXIMUM SPL (4)	123dB continuous, 129dB peak
NOMINAL IMPEDANCE	2 x 8 ohms stereo 4 ohms mono
DISPERSION (-6dB)	
CROSSOVER	120Hz active (via EMX1A)
ENCLOSURE	91 litre, vented
FINISH	Textured green paint
CONNECTORS	2 x spring loaded
FITTINGS	
DIMENSIONS	(W) 790mm x (H) 360mm x (D) 410mm (W) 31.1ins x (H) 14.2ins x (D) 16.1ins
WEIGHT	31kg (68lbs)

## architectural and engineering specifications

The loudspeaker system shall be of the vented enclosure sub-bass type consisting of two 10" (250mm) long excursion low frequency transducers mounted on internal baffles and acoustically isolated from each other. The system shall operate either as a stereo or mono sub-bass system.

Performance of the loudspeaker system with its electronic controller shall meet or exceed the following criteria:

Frequency response measured 1 metre on axis shall be 45Hz-200Hz  $\pm$  3dB.

Power handling shall be 400W AES, 1600W peak.

Rated impedance shall be 8 ohms for stereo – 4 ohms for mono.

Maximum SPL measured at 1 metre on axis shall be 123dB continuous, 129dB peak.

Dimensions (W) 790mm x (H) 360mm x (D) 410mm (31.1ins x 14.2ins x 16.1ins).

Weight 31kg (68lbs).

The loudspeaker system shall be the Martin Audio EMI 50.

### Notes

- (1) Measured on-axis in half space at 2 metres, then referred to 1 metre.
- (2) AES Standard ANSI S4.26-1984.
- (3) Measured in half space conditions at 2 metres with 1 watt input, using band limited pink noise, then referred to 1 metre.
- (4) Measured in half space conditions at 2 metres using band limited pink noise, then referred to 1 metre.

### Trade Descriptions Act

Due to Martin Audio's policy of continuing improvement, we reserve the right to alter these specifications without prior notice. Martin Audio is committed to refining state of the art sound reinforcement, combining in-depth product and field applications research with advanced manufacturing techniques. Every Martin Audio product is built to the highest manufacturing standards and rigorously tested to ensure that it meets the performance criteria specified in the design.

Century Point, Halifax Road, Cressex Business Park,  
High Wycombe, Buckinghamshire HP12 3SL, England.  
Telephone: +44 (0)1494 535312 Facsimile: +44 (0)1494 438669  
E-mail: [info@martin-audio.com](mailto:info@martin-audio.com)  
All information is Copyright © 2003 Martin Audio Ltd.

